



TRITON

SQ SERIES AMPLIFIER

SQ80042 & SQ80044





Congratulations and thank you for purchasing Triton mobile amplifier. With a focus on quality, innovation, and value, Triton amplifiers feature a no-compromise design built for today's music. , Triton Audio makes no compromises in delivering incredibly accurate sound from a compact chassis.

To make sure your new amplifier performs its best, we strongly recommend you have your new Triton amplifier professionally installed.

Please use your new Triton amplifier responsibly. Listening to very loud music for extended periods of time can cause permanent hearing loss.

Triton SQ Series Amplifiers Features:

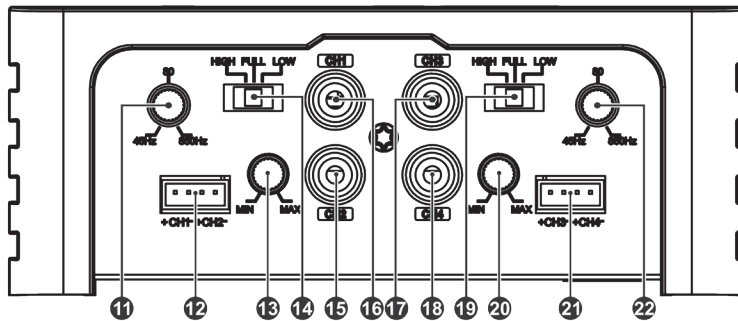
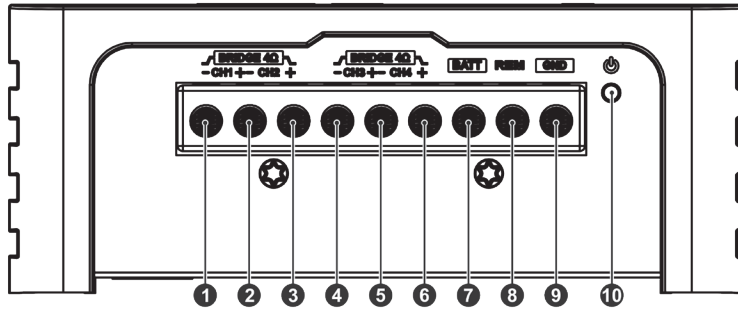
- **EPS Technology** – Triton Audio engineers have developed an enhanced power supply utilizing EE Ferrite Core Transformers. This means that the amplifier is more efficient in energy conversion while shielding the amplifiers from noise that can arrive from the audio output section. All Triton SX Series amplifiers utilize EPS Technology.
- **UHD Output System:** – Triton Audio's multi-channel full frequency amplifiers feature an amazing device – our Ultra High Definition High Frequency Self-Oscillating Half Bridge Output System. While it's a mouthful to say, the result our engineers have delivered is a full frequency response high definition sound that you will immediately hear. Today's music and the ability of music studios to deliver incredible source material means that new technology is needed to deliver the details whether you're in an ATV, boat, car or truck. UHD Output System is available on all Triton SQ Series full range amplifiers
- **MMS** – Our engineers went over the top in designing our 10000.1 monoblock behemoth. At 10,000 watts we knew we needed the perfect blend between instant power, maximum efficiency and reliability. Micro-Processed Modulation System (MMS) is an ultra-high efficiency full bridge output stage that utilizes state of the art micro-processors to guarantee maximum efficiency and reliability
- **Pure and Solid Connectors** – Some amplifier makers utilize weak metal alloys trying to save money wherever possible. Triton Audio, with our Engineered for You philosophy only use pure, robust and solid connectors – this means better conductivity and heat dissipation for better sound and reliability.
- **Enhanced Heat Sinks** – Triton Audio has optimized all heat sink designs for maximum heat exchange from a very small footprint. This improves the efficiency of the amplifier and allows us to keep the footprint as small as possible.

I. Package Contents

- 1 SQ Series Amplifier
- Warranty Card

II. Specifications

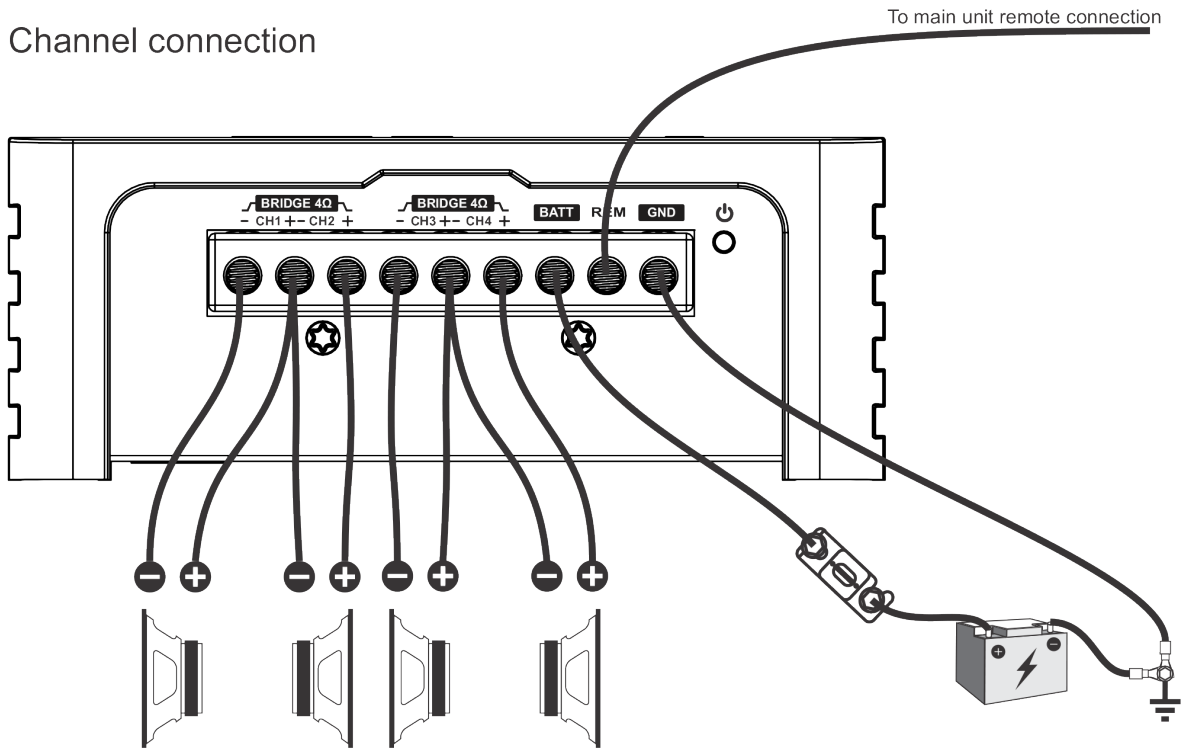
Model	SQ8004.2	SQ8004.4
Power RMS 1Ω @ 14.4V	4 x 200W	N/A
Power RMS 2Ω @ 14.4V	4 x 110W	4 x 200W
Power RMS 4Ω @ 14.4V	4 x 60W	4 x 110W
Bridge Power 2Ω @ 14.4V	4 x 400W	N/A
Bridge Power 4Ω @ 14.4V	2 x 220W	2 x 400W
Bridge Power 8Ω @ 14.4V	2 x 121W	2 x 220W
Frequency Response (-3db)	5Hz ~ 20kHz	5Hz ~ 20kHz
Crossover LP 24dB/8 / 12dB/oct	45Hz ~ 850Hz	45Hz ~ 850Hz
Crossover HP 12dB/8 / 12dB/oct	45Hz ~ 850Hz	45Hz ~ 850Hz
THD+N (Nominal Impedance / 100Hz / LPF 15kHz / Nominal POWER)	1%	1%
Damping factor (Nominal Impedance @ 100Hz)	55	55
Power Supply Voltage	9V ~16V	9V ~16V
SNR	99dB	99dB
Input Sensitivity	0.5 ~ 6V	0.5 ~ 6V
Current Draw (Music)	39A	39A
Current Draw (Max)	78A	78A
Total Efficiency	82.1%	82.1%



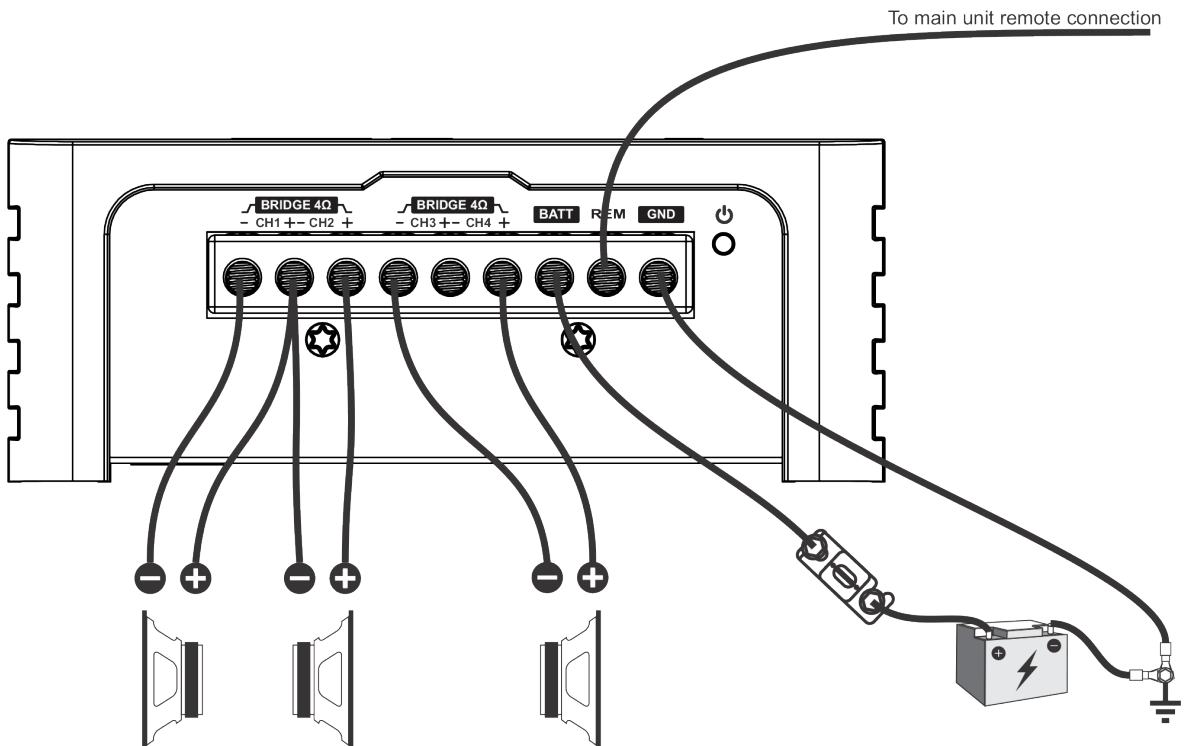
- | | |
|--|--|
| <ul style="list-style-type: none"> ❶ Negative speaker connector (-) CH1; ❷ Positive Speaker connector (+) CH1 and negative (-) CH2; ❸ Positive Speaker connector (+) CH2; ❹ Negative Speaker connector (-) CH3; ❺ Positive Speaker connector (+) CH3 and negative (-) CH4; ❻ Positive Speaker connector (+) CH4; ❼ Positive power supply connector +12V; ❽ Remote power supply connector (REM); ❾ Negative power supply connector (GND); ❿ "Power On" LED indicator ⓫ Variable crossover control CH1 and CH2; | <ul style="list-style-type: none"> ⓬ Hi level audio input CH1 and CH2. ⓭ Gain control CH1 and CH2; ⓮ Selector switch of crossover CH1 and CH2;; ⓯ Audio input RCA connector CH2; ⓰ Audio input RCA connector CH1; ⓱ Audio input RCA connector CH3; ⓲ Audio input RCA connector CH4; ⓳ Selector switch of crossover CH3 and CH4; ⓴ Gain Control CH3 and CH4; ⓵ Hi level audio input CH3 and CH4; ⓶ Variable crossover control CH3 and CH4; |
|--|--|

III. Wiring Connections

4 - Channel connection



3 - Channel connection



2 - Channel connection

