



SQPS36
SQPS27
SQPS20

AMPLIFIED POWERBAR

Application Guide

Please read through this manual to familiarize yourself with your new Powerbar. Should your Triton Audio Powerbar ever require service, you will need to have the original dated receipt.



Thank you for purchasing your Triton Audio Amplified Powerbar. Your new Powerbar was designed to withstand the elements while delivering your music, your way. The onboard DSP was precision tuned by Triton Engineers to give you the best possible sound without sacrificing the volume you need while out on the trails. Triton Audio, Engineered for You!

PRODUCT FEATURES

Full Range Marine Grade Poly Cone Speakers Set up in an optimum sound array for high volume output

Titanium Tweeters Delivers exceptional high frequencies and help combat wind and engine noise

Precision Tuned DSP For extended frequency range and low distortion sonic playback

Heavy Duty Extruded Aluminum Watertight Housing For added heatsink cooling and a water-resistant sealed environment

Bluetooth And Wired AUX Inputs Let's you select the way you want to delivery your music

1.5 Volt Line Output To add a second Powerbar or external amplifier

Universal L Mount and C Mount Brackets Easy installation for many applications

SQPS36:

3" x 8 Full Range Premium Marine Grade Speakers

1" x 4 Premium Marine Grade Titanium Dome Tweeters

400-Watt RMS Quad Bridged Mosfet Power Amplifier

SQPS27:

3" x 6 Full Range Premium Marine Grade Speakers

1" x 2 Premium Marine Grade Titanium Dome Tweeters

300-Watt RMS Quad Bridged Mosfet Power Amplifier

SQPS20:

3" x 4 Full Range Premium Marine Grade Speakers

1" x 2 Premium Marine Grade Titanium Dome Tweeters

200-Watt RMS Quad Bridged Mosfet Power Amplifier

TRITON AUDIO POWERBAR SPECIFICATIONS

| Model | SQPS36 | SQPS27 | SQPS20 |
|-------------------------------|--------------------|---------------------|---------------------|
| RMS Power (watts) | 400 | 300 | 200 |
| Peak Power (watts) | 800 | 600 | 400 |
| Aux Input Sensitivity | 250mV - 3 Volts | 250mV - 3 Volts | 250mV - 3 Volts |
| Aux Output | 1.5 Volts | 1.5 Volts | 1.5 Volts |
| Frequency Response | 50Hz - 22kHz | 50Hz - 22kHz | 50Hz - 22kHz |
| Signal to Noise Ratio | >85dB | >85dB | >85dB |
| Bluetooth Frequency | 2.4GHz | 2.4GHz | 2.4GHz |
| Bluetooth Protocol | V4.0 | V4.0 | V4.0 |
| Bluetooth Operating Range | >32' | >32' | >32' |
| Bluetooth Compatible Devices | A2DP Support | A2DP Support | A2DP Support |
| Size: L x H x W (inches) | 33.6 x 4.56 x 4.25 | 27.56 x 4.56 x 4.25 | 21.18 x 4.56 x 4.25 |
| Size: L x H x W (millimeters) | 854 x 116 x 108 | 700 x 116 x 108 | 538 x 116 x 108 |
| Weight (lbs.) | 20.37 | 16.16 | 10.93 |
| Weight (kgs) | 9.24 | 7.33 | 4.96 |

PLEASE NOTE

Installation of Triton Audio Powerbars requires detailed knowledge of electronics wiring. **We strongly recommend installation by an authorized Triton Audio dealer.**

This Owner's Manual only provides general installation and operation instructions. If you have any reservations about your installation skills, please contact your local Triton dealer for assistance.

IMPORTANT: This amplified Powerbar is designed for operation in vehicles with 12-volt Negative ground electrical systems only.

PREPARING FOR INSTALLATION

NOTE: The tools listed below may be required for proper installation

- An electric drill with bits
- Allen / Hex Key / Wrench Set
- Philips's & Standard screwdrivers
- Wire strippers and crimping tool
- Electronic Volt Meter
- Heat shrink tubing and heat gun
- Soldering iron
- Electronic (Rosen not Acid Core) solder

NOTE: *The stainless-steel hardware supplied with your Triton Audio Powerbar has been chosen to resist rust and corrosion. If the supplied hardware supplied will not work for your installation purposes, please be sure to use only appropriate marine grade (stainless steel) mounting hardware.*

IMPORTANT PRECAUTIONS

NOTE: *Proceed only if you are a qualified installer, otherwise; see your Authorized Triton Dealer to professionally install this amplifier. Always wear protective eyewear when using tools.*

- Turn off all stereo and other electrical devices before you begin.
- Disconnect the negative (-) lead from your vehicle's battery.
- Locate all fuel lines, brake lines, oil lines, and electrical cables when planning the install.
- When connecting ground points, make sure all paint is carefully scrapped away from the body and contact is made with bare metal.
- Use a utility knife to trim away fabric from hole locations before drilling or cutting.
- When running power cables through sheet metal, be sure to use grommets to properly insulate the metal edges from the wire insulation.
- If possible, use tubing through grommets.

WARNING: *Check your vehicle's owner's manual before disconnecting the battery. Disconnecting the battery on some vehicles may require an anti-theft code when reconnecting the battery and require the on-board computer to be reset at the dealership. Check with your local dealer if you are uncertain.*

MOUNTING THE POWERBAR

L-brackets

Use the supplied hardware to mount the L bracket to the Powerbar at the desired mounting angle. Securely tighten all hardware. The diameter of the hole in the L- bracket is .25 inches.

NOTE: Hardware to mount the Powerbar to the vehicle when using L Brackets is not supplied. If using L brackets make sure the stainless-steel hardware is utilized.

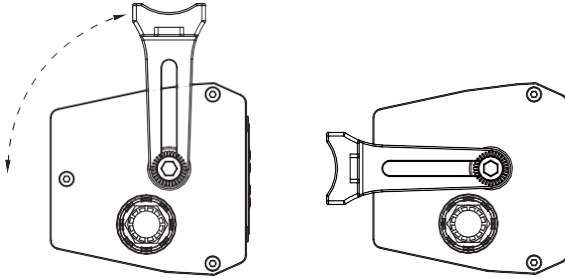


Fig.1

C-clamp bracket

There is a set screw in the middle of the C-clamp that will lock it into the Powerbar once the clamps are in place so they will lock in place.

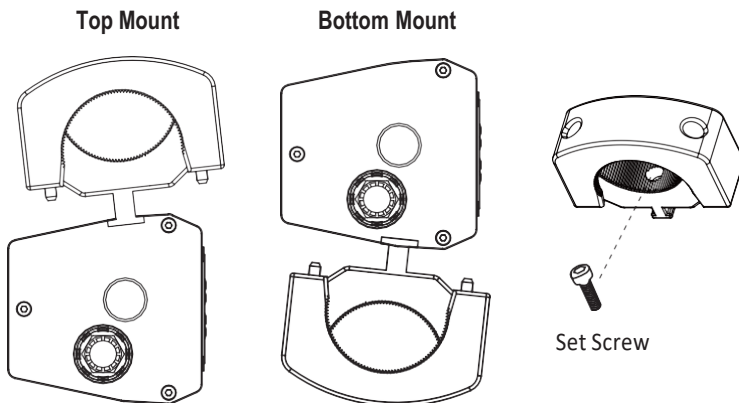


Fig.2

MOUNTING LOCATION

Find an unobstructed location that where the Powerbar will be easily heard and out of the way so no harm will come to any individual in or around the vehicle. A prime location to mount the Powerbar in an off-road vehicle would be on the roll bar preferably in the front of the vehicle. Remember to check for helmet and head clearance.

FUSE REQUIREMENTS

While the wiring harness of your Triton Audio Powerbar incorporates a fuse, this does nothing to protect the vehicle from a dangerous short circuit. It is absolutely vital that the main power lead to the amplified Powerbar in the system be fused within 18-inches (45cm) of the connection to the vehicle battery. The value of this fuse (or circuit breaker) should be no greater than the sum of the fuses found on all the equipment being connected to that power wire.

POWER WIRING AND SIGNAL CONNECTIONS Fig.3

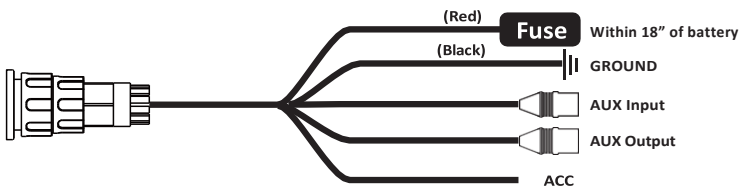
Red Wire (with Fuse) – Connect to either 12 volts battery power or 12 volt switched power. It is recommended to hook this power wire directly to the battery for better current and voltage flow (fig 5).

Black Wire (fig. 4 & 5) - Ground lead that needs to be a solid ground connection. Sand or scrape the paint away from a solid metal chassis location and use a screw or bolt with a star washer for best results. You can also connect the Ground Wire directly to the Battery (fig. 5).

AUX 3.5mm Input – Audio input for a source unit that produces 200mV to 2 volts. 3.5mm connector for cell phone or MP3 player. If you need RCA inputs, there are 3.5mm adaptors available from your authorized Triton Audio dealer.

AUX 3.5mm Output - Up to a 1.5-volt output to drive an external amp (subwoofer or full-range) or a second Powerbar. This output is a full-range variable output that is controlled by the Powerbar pre-amp.

ACC - This wire must be connected to a switched +12Voltage source.



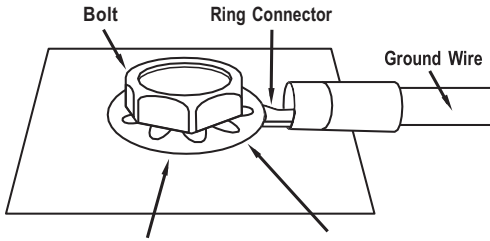


Fig.4 Recommended Ground Connection

Note: Remove any paint below ring connector
Star Washer

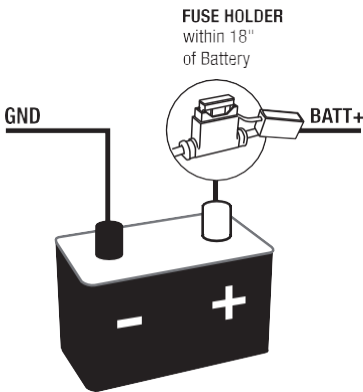


Fig.5 Recommended Ground Connection for UTV's, RV's, Motorcycles and Boats

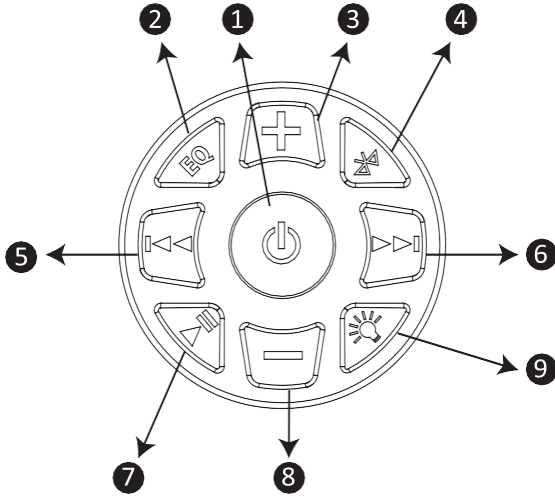
AUX INPUT

Connect the external audio input wire to your Powerbar. Turn the Powerbar on by the power button, background LED is powered on. Then press Bluetooth button switch to Aux mode indicated by an orange light. Now you can use the main controller on the Powerbar to adjust volume up, down, and mute. Track back and forward as well as pause will not work in AUX mode; these features work only in Bluetooth mode. In Aux mode these features can only be operated by your connected device. (Radio, Phone or MP3 Player).

AUX OUTPUT

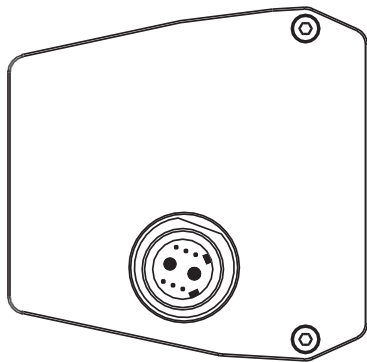
The Powerbar will send up to 3 volts of audio output to either an external amplifier (subwoofer or full range) or second Powerbar. This is a variable output that is controlled by the main Powerbar. Connect the 3.5mm output to the audio input RCA or AUX input of your external amplifier. If using a second Powerbar use a 3.5mm to 3.5mm extension cable and connect the Aux output from the main Powerbar to the Aux input of the second Powerbar. For distortion free sound, turn the volume all the way up on the second Powerbar and then back down two-three clicks.

CONTROLLER LAYOUT



POWERBAR CONNECTION PORTS

Main Connector Port



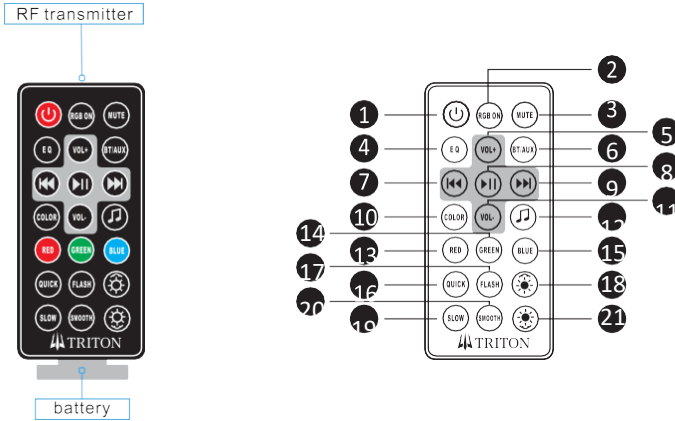
ONBOARD CONTROLS

- 1) **POWER BUTTON** - Press the button to power unit on/off. The included RF wireless remote will control all Triton Powerbars. If you are using multiple bars on one installation, use the pairing feature to lock the remote to the main unit. To lock the external RF Remote, hold the power button for 3s until the LED flashes, then press any button on the wireless remote (except the power button). When completed the LED will be back normal.
- 2) **EQ BUTTON** – Press to cycle between Vocal, Flat, Classical, Pop, Rock, or Jazz. Hold for 3s to disconnect paired device and reset to factory EQ settings.
- 3) **VOLUME UP BUTTON** - Press momentarily to raise the volume. Press and hold, the volume continues to increase.
- 4) **BLUETOOTH / AUX BUTTON** – Press to switch between Bluetooth and Auxiliary input.
- 5) **TRACK BACK BUTTON** - Press the Track Back button momentarily to skip back to the previous song (Bluetooth mode only).
- 6) **TRACK FORWARD BUTTON** - Press the Track Forward button momentarily to skip to the next song (Bluetooth mode only).
- 7) **PAUSE BUTTON** - Press to pause the music in Bluetooth mode and once again to un-pause. In AUX mode the Pause button works as a mute, press once to mute the music in AUX mode and once again to un-mute. Hold the button for 10s to clear all previously paired Bluetooth connections and restore to factory settings.
- 8) **VOLUME DOWN BUTTON** - Press momentarily to lower the volume. Press and hold, the volume continues to decrease.
- 9) **RGB LED LIGHT POWER ON/OFF BUTTON** - Press for RGB light mode cycle switching. Hold for 3s to power RGB Light On/Off.

BLUETOOTH PAIRING AND OPERATION

- 1) Turn Powerbar on by pressing the power button, there will be white background light on to confirm the Powerbar is on.
- 2) In the Bluetooth settings of your device search for the Triton Powerbar signal to pair. Once paired, there will be an audible beep to confirm that the Powerbar and your Bluetooth device has paired successfully.
- 3) Once the pairing process is complete, use either the main controller on the Powerbar or RF remote to control volume up and down, track back or forward, and pause/mute

RF CONTROLLER OPERATION



Has been equipped with a battery, remove the insulating plastic before use.

21 key remote control

- * Same as "Controller Operation"
- * RGB NO/OFF
- * MUTE NO/OFF
- * RGB Mode cycle switching.
- * RGB Music Mode, RGB lights will flash dynamically with the ups and downs of
- * musicRGB Lights going to RED color
- * RGB Lights going to GREEN color
- * RGB Lights going to BLUE color
- * Flicker frequency increase
- * Flicker frequency reduction
- * RGB lights brightness increase
- * RGB lights brightness reduction
- * RGB Light enter flashing mode
- * RGB Light enter stationary mode

TROUBLESHOOTING TIPS

(Due to continuing improvements these specifications are subject to change without any notice. Do not attempt to fix or repair this unit. Unauthorized repairs will void the manufacturer's warranty.)

| PROBLEM | SOLUTION |
|-----------------------------------|--|
| NO POWER | <ul style="list-style-type: none">• With a voltmeter (VOM) check Red power wire, it should read +12 to +16 Volts and Black wire should read -12 to -16Volts• Check input voltage Make sure input DC voltage is between 9VDC and 16VDC |
| NO SOUND | <ul style="list-style-type: none">• Check input device• Make sure your device is paired with the Powerbar• Make sure you are connected to the AUX input cable |
| DISTORTED OUTPUT | <ul style="list-style-type: none">• Check input signal.• Make sure your input signal does not exceed 3 volts• Reduce the volume on either the Powerbar or connected device |
| SOUND CUTS ON/OFF | <ul style="list-style-type: none">• Check input signal Make sure your input signal is at least 250mV• Raise the volume on either the Powerbar orconnected device |
| NOT ABLE TO PAIR BLUETOOTH DEVICE | <ul style="list-style-type: none">• Make sure no other device is paired (only one device can be paired at a time)• Make sure Bluetooth is turned on from your device• Use RESET button to reset micro-processor |

LIMITED WARRANTY

Triton Audio warrants any products purchased from an authorized Triton Audio dealer to be free from defects in material and workmanship under normal use for a period of ONE (1) YEAR from date of original purchase. In the event the Triton product is professionally installed by an authorized Triton Dealer, Triton Audio will extend the warranty period to a total of TWO (2) YEARS from date of installation.

All warranty service requires original sales receipt documentation. Should service be necessary during the warranty period Triton Audio will repair or replace (at its discretion) the defective merchandise with equivalent product. This warranty is valid only for the original owner. Defective merchandise should be returned to your local Triton Audio Dealer for warranty assistance.

Visit WWW.TRITON-AUDIO.COM for more information.