



TRITON

SSQ SERIES SUBWOOFERS

SSQ10S4, SSQ10D4, SSQ12S4, SSQ12D4



SSQ10S4



SSQ10D4



SSQ12S4

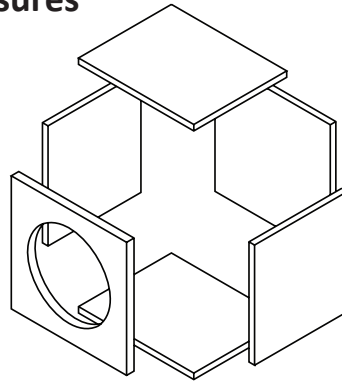
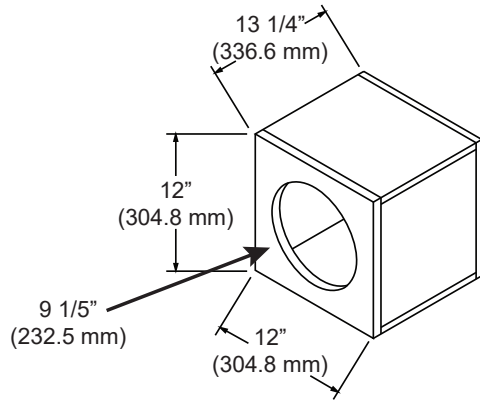


SSQ12D4

TRITON SSQ SUBWOOFER SPECS

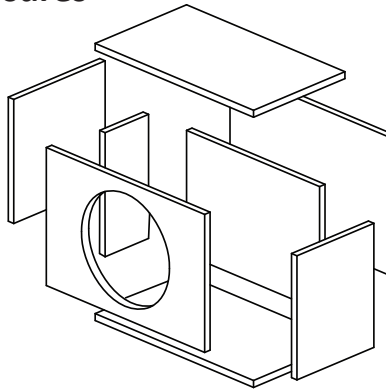
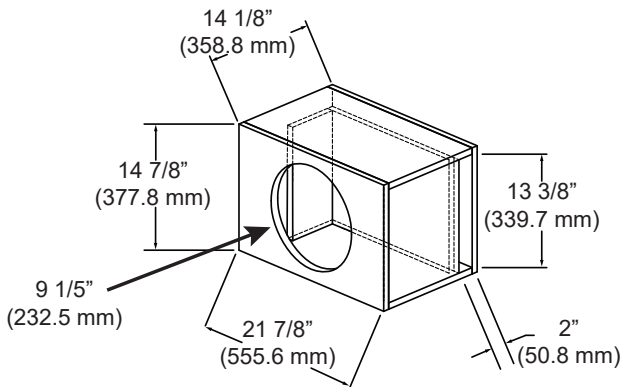
	UNITS	SSQ10S4	SSQ10D4	SSQ12S4	SSQ12D4
THIELE SMALL PARAMETERS					
Resonant Frequency (fs)	Hz	37	37	35	34
Mechanical Q (Qms)		4.20	4.12	4.19	3.98
Electrical Q (Qes)		0.59	0.65	0.77	0.91
Total Q (Qts)		0.52	0.56	0.65	0.74
Sensitivity	dB	85.1	84.3	86.8	85.7
Xmax Linear	in.	0.472	0.472	0.472	0.472
Xmax Mechanical	in.	0.768	0.768	0.768	0.768
Displacement	cf.	0.24	0.24	0.366	0.366
Air volume of suspension (Vas)	Ltr	23.210	22.579	54.116	57.101
Moving Mass (Mms)	g	124	132	168	175
Suspension Compliance (Cms)	umN	144	140	122	128
Effective piston area (Sd)	SqCm	336.54	336.54	559.90	559.90
Motor Strength (Bl)	TM	12.43	8.41	12.24	8.06
VOICE COIL & MAGNET					
Impedance Series	ohms	4	8	4	8
Impedance parallel	ohms	4	2	4	2
DCR	ohms	3.2	3.2+3.2	3.2	3.2+3.2
Voice coil diameter	in.	2.38	2.38	2.38	2.38
RMS Power	Watts	500	500	500	500
Peak Power	Watts	1000	1000	1000	1000
Magnet diameter	in.	6.1	6.1	6.1	6.1
PHYSICAL DIMENSIONS					
Mounting depth	in.	5.21	5.21	5.48	5.48
Cutout Diameter	in.	9.213	9.213	11.181	11.181
Frame Outside Diameter	in.	10.157	10.157	12.2	12.2

SSQ10S4/D4 Recommended Sealed Enclosures



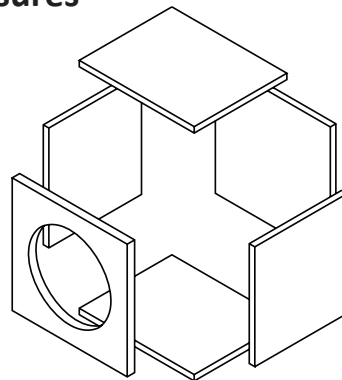
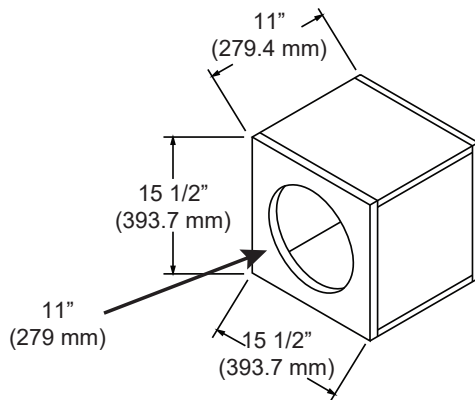
Net Internal Volume: 0.75 ft³

SSQ10S4/D4 Recommended Vented Enclosures



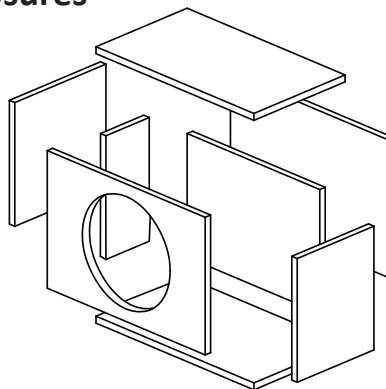
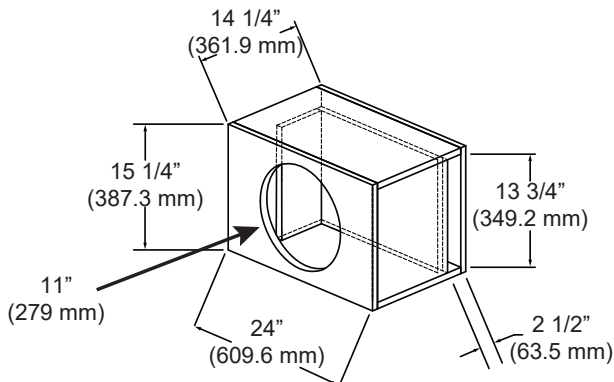
Net Internal Volume: 2.00 ft³

SSQ12S4/D4 Recommended Sealed Enclosures



Net Internal Volume: 1.00 ft³

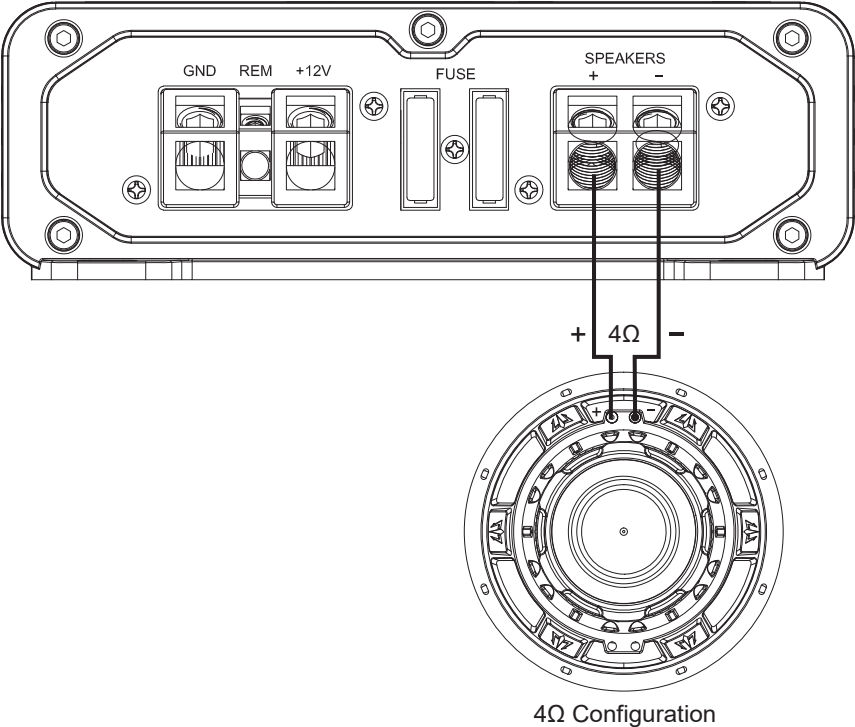
SSQ12S4/D4 Recommended Vented Enclosures



Net Internal Volume: 2.32 ft³

Wiring Options

SSQ10S4/SSQ12S4



SSQ10D4/SSQ12D4

